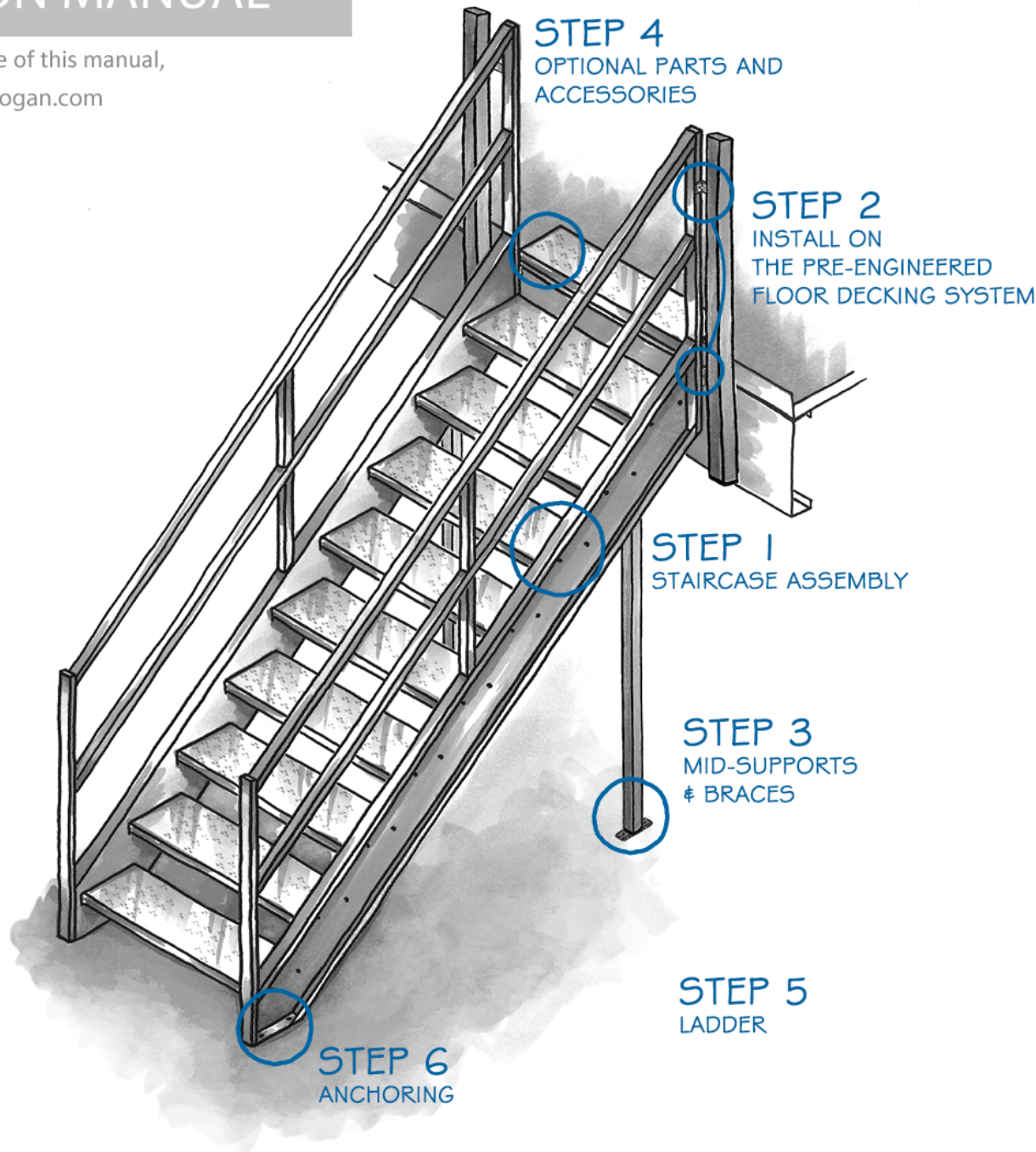


# INSTALLATION MANUAL

For the most current release of this manual, please visit our website at [cogan.com](http://cogan.com)

V.2017.1



Product

Pre-Engineered Floor Decking System

Sub-product

Staircase

- 4 Models of staircase available: 2 rails, 3 rails, 3 rails with inner rail and 3 rails with wire mesh panels and inner rail.

- Handrails is factory welded to the stringer

- Steps are bolted to stringer



A Tradition of Quality Since 1901

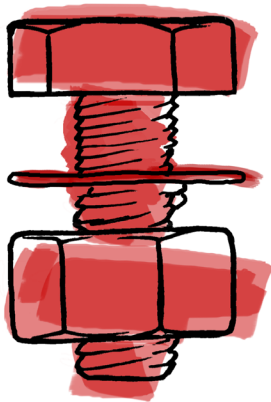
[cogan.com](http://cogan.com)



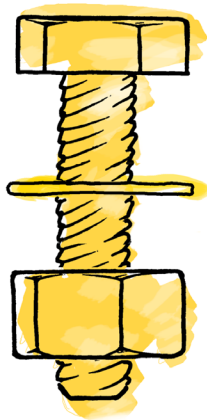
$\varnothing 3/8'' \times 2 \ 3/4''$  BOLT  
(ANCHOR)



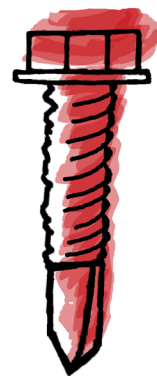
$\varnothing 1/4'' \times 1''$  FLAT  
HEAD TEK SCREW



$\varnothing 3/8'' \times 1''$  BOLT



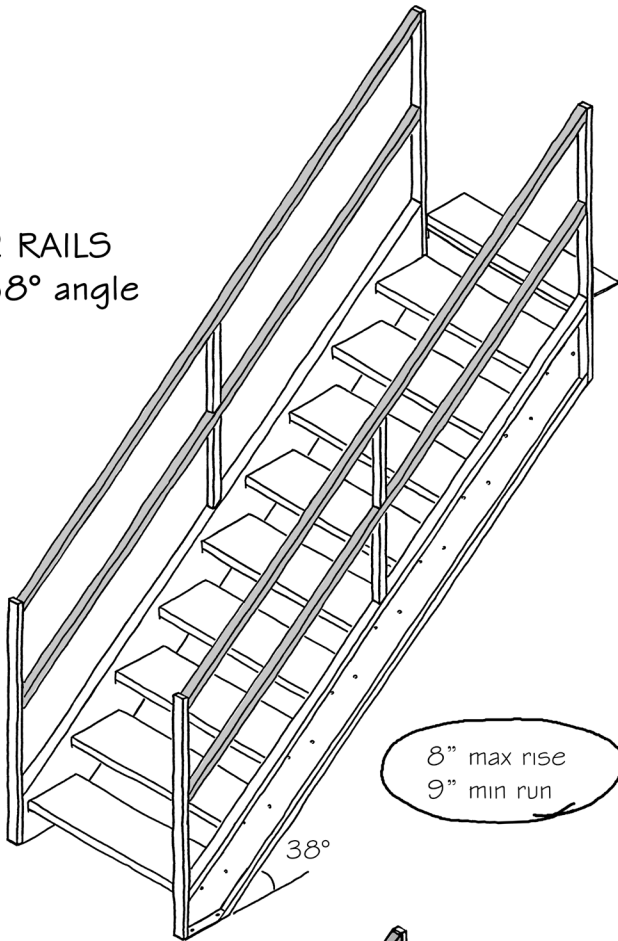
$\varnothing 3/8'' \times 1 \ 3/4''$   
BOLT



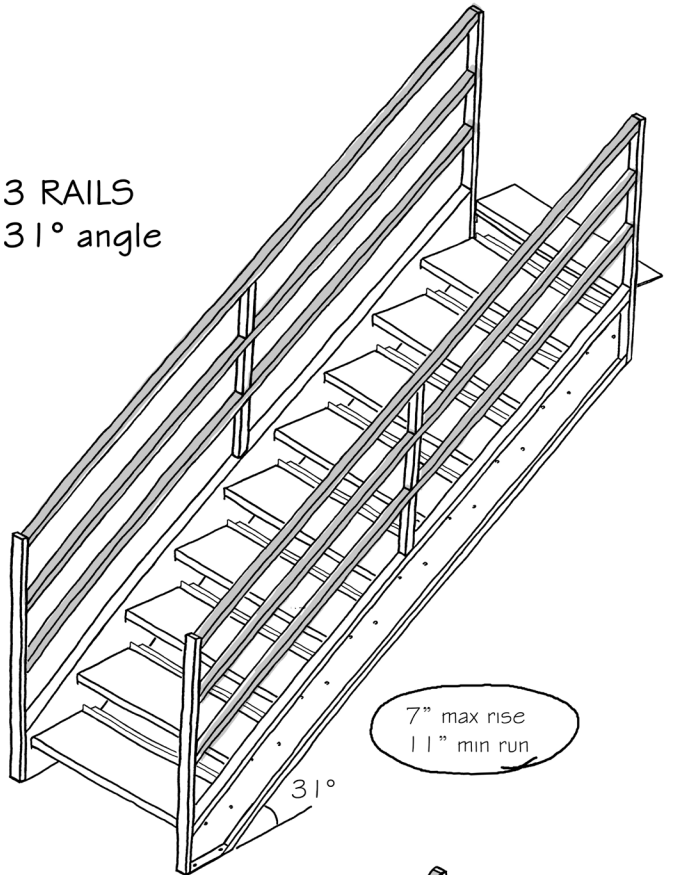
$\varnothing 1/4'' \times 1''$  HEX  
HEAD TEK SCREW

# 4 MODELS ARE AVAILABLE

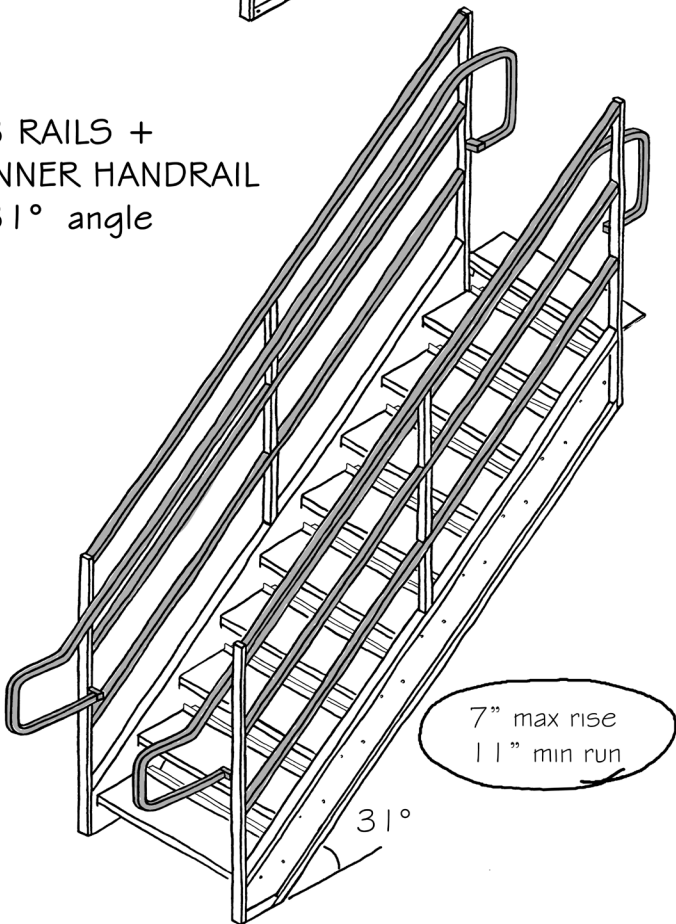
2 RAILS  
38° angle



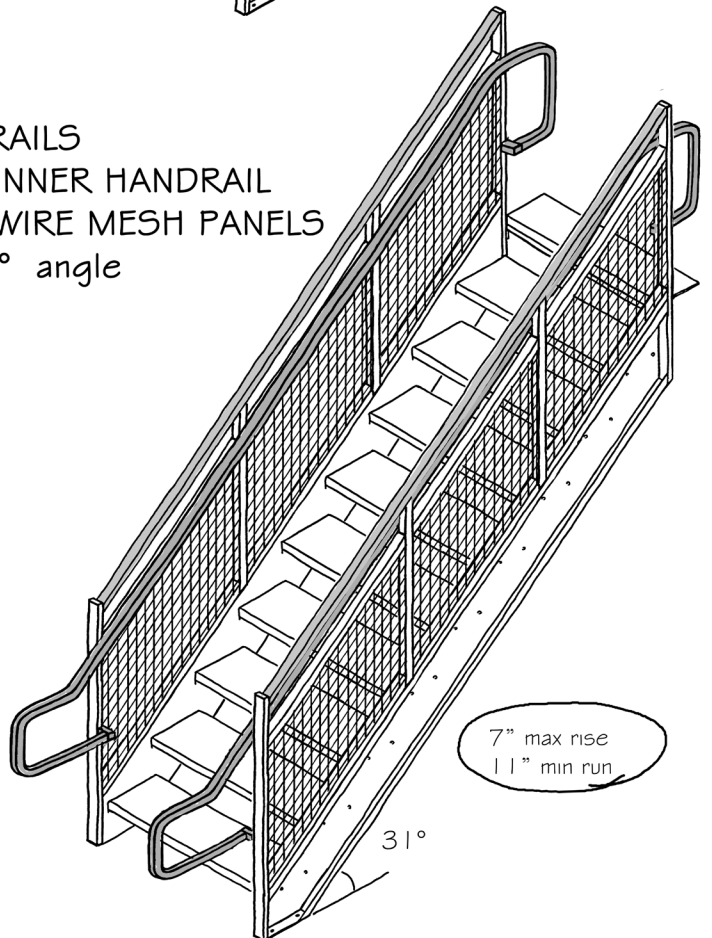
3 RAILS  
31° angle



3 RAILS +  
INNER HANDRAIL  
31° angle



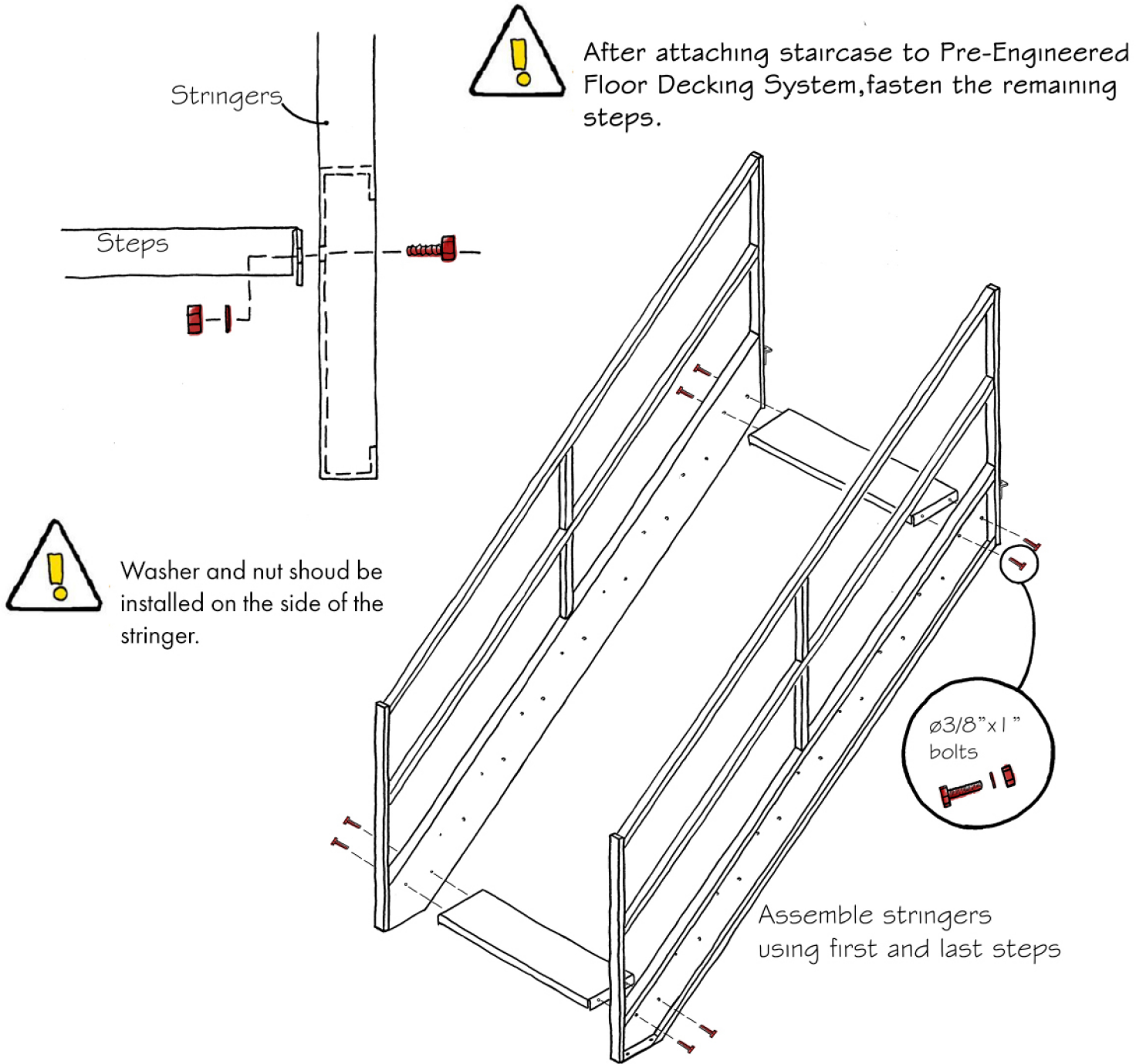
2 RAILS  
+ INNER HANDRAIL  
+ WIRE MESH PANELS  
31° angle





# STEP 1

## ASSEMBLING STEPS WITH STRINGERS

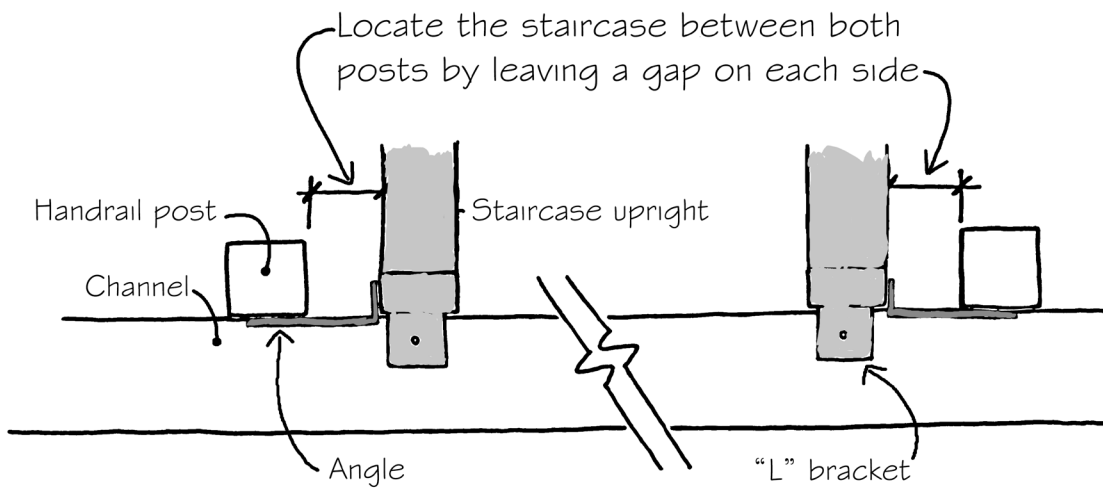
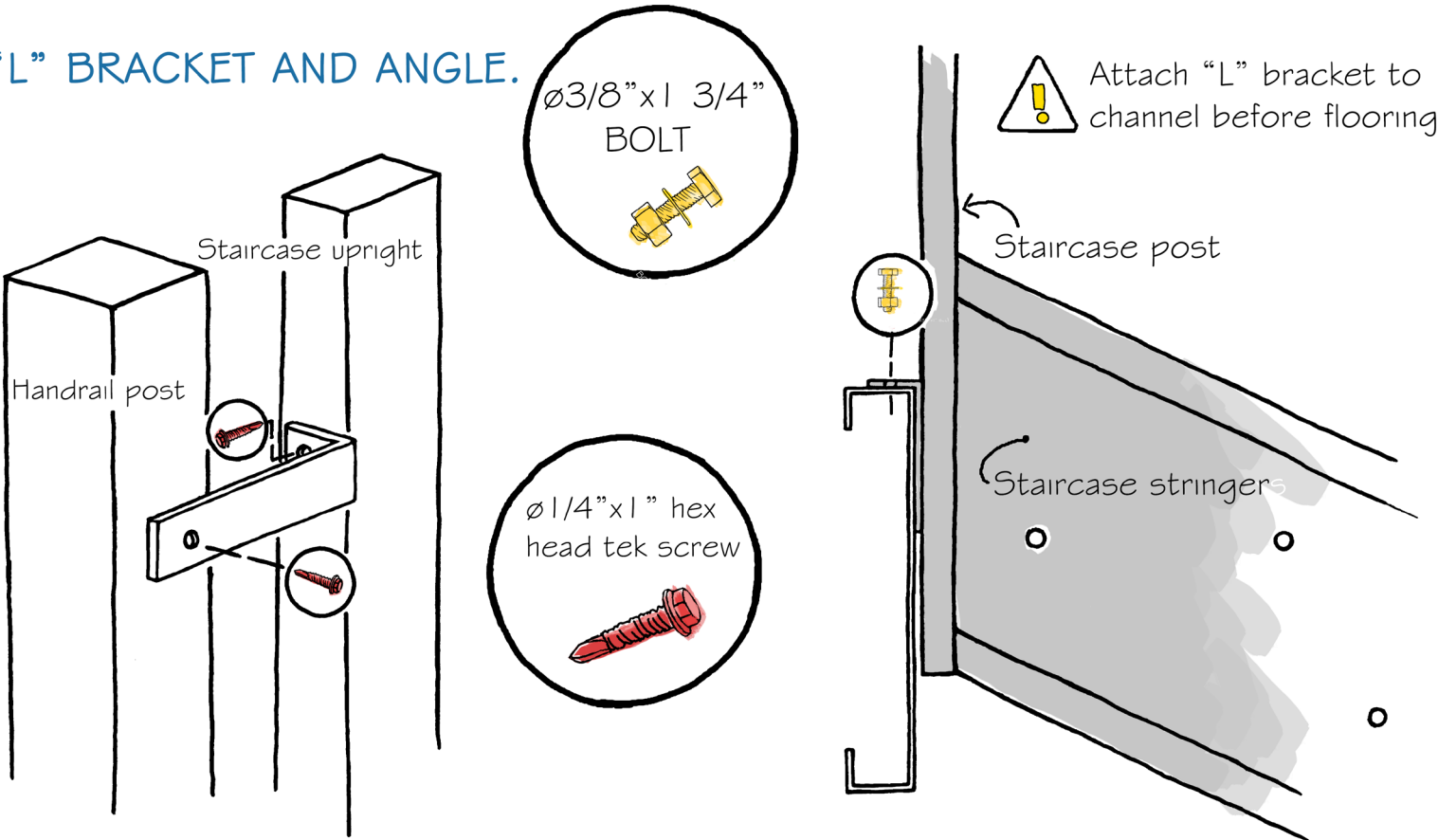




## STEP 2

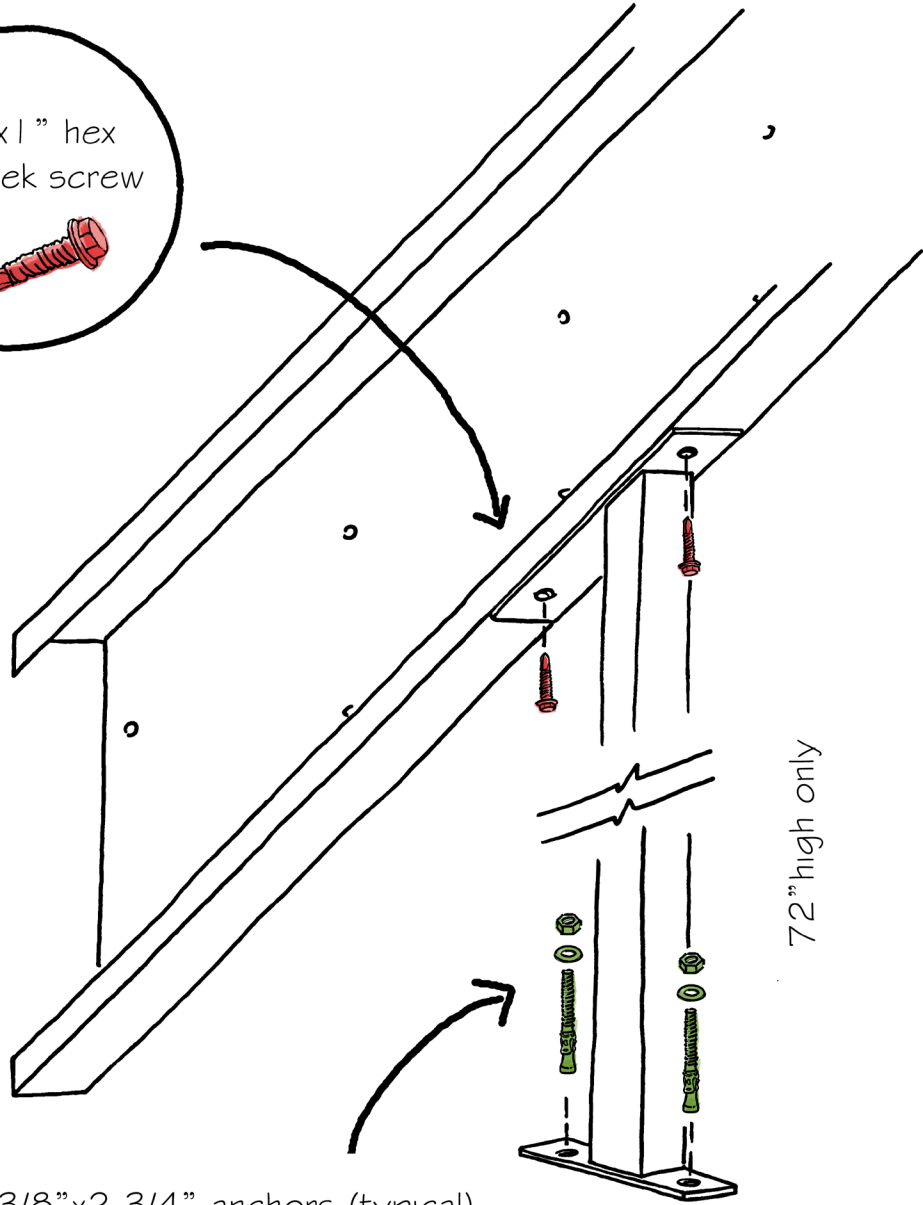
### ATTACH STAIRCASE TO PRE-ENGINEERED FLOOR DECKING SYSTEM USING

#### "L" BRACKET AND ANGLE.

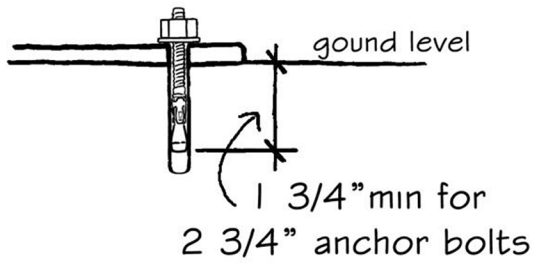
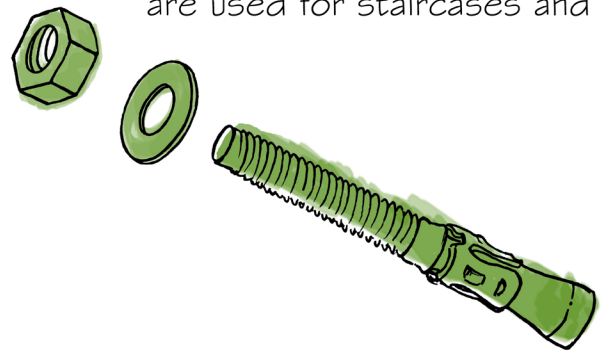


# STEP 3

## MID-SUPPORTS

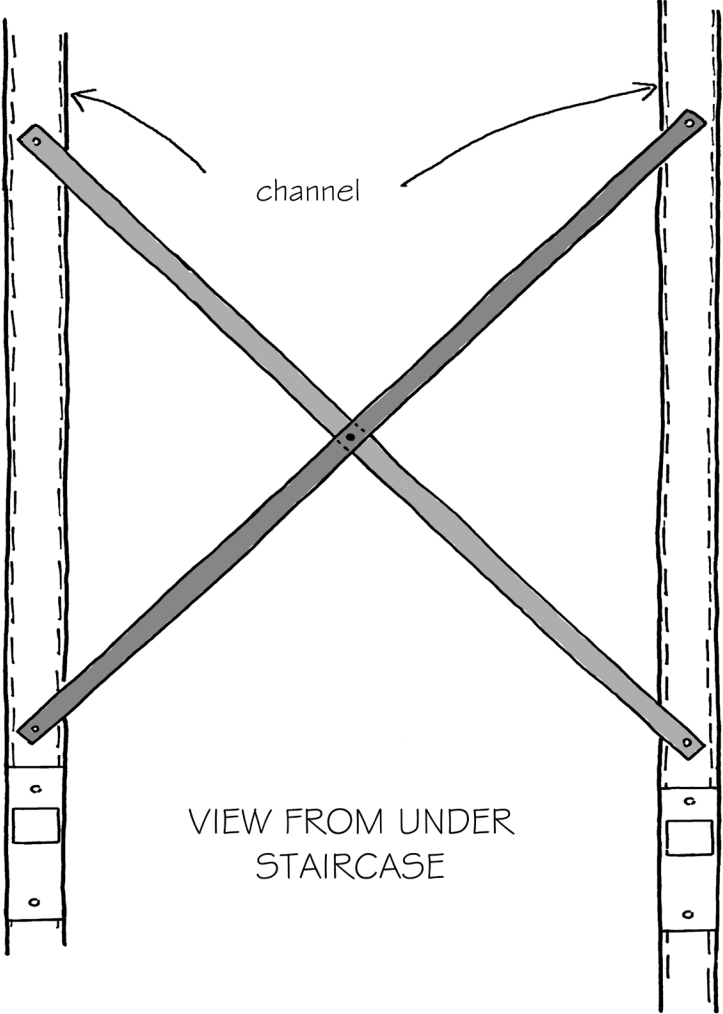


ø3/8"x2 3/4" anchors (typical) are used for staircases and ladders

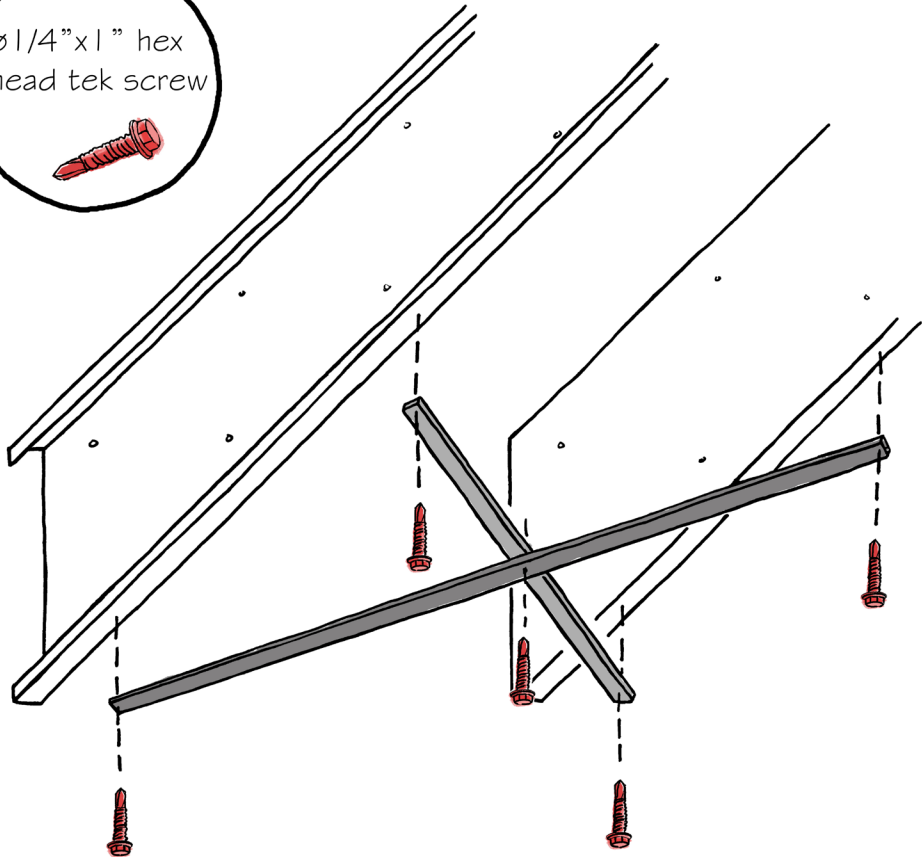


MID-SUPPORTS ARE USED ON STAIRCASES 8' HIGH OR GREATER SEE STEP 6 FOR COMPLETE DETAILS ON ANCHORING.

# STAIRCASE BRACES

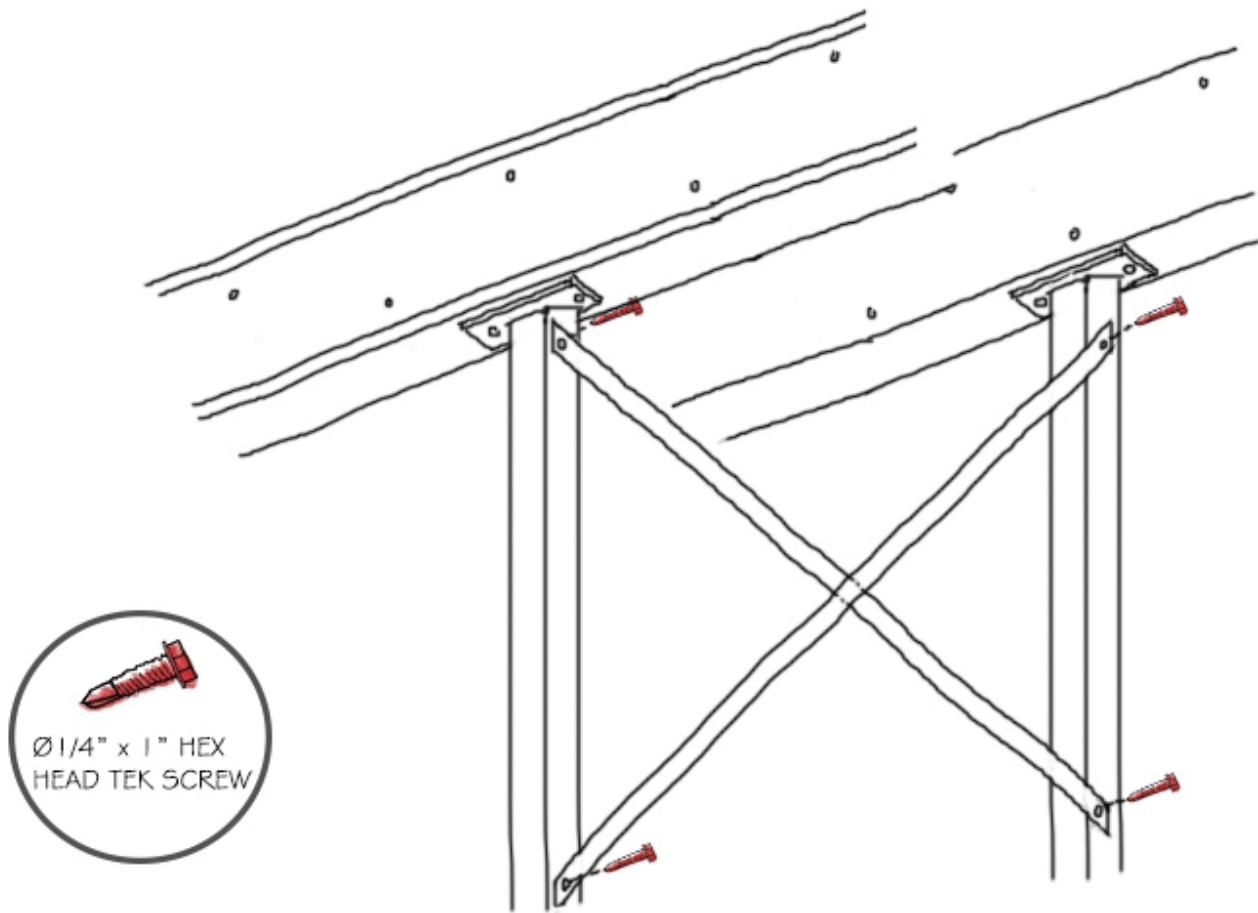


Ø 1/4" x 1" hex head tek screw





## MID-SUPPORT BRACES

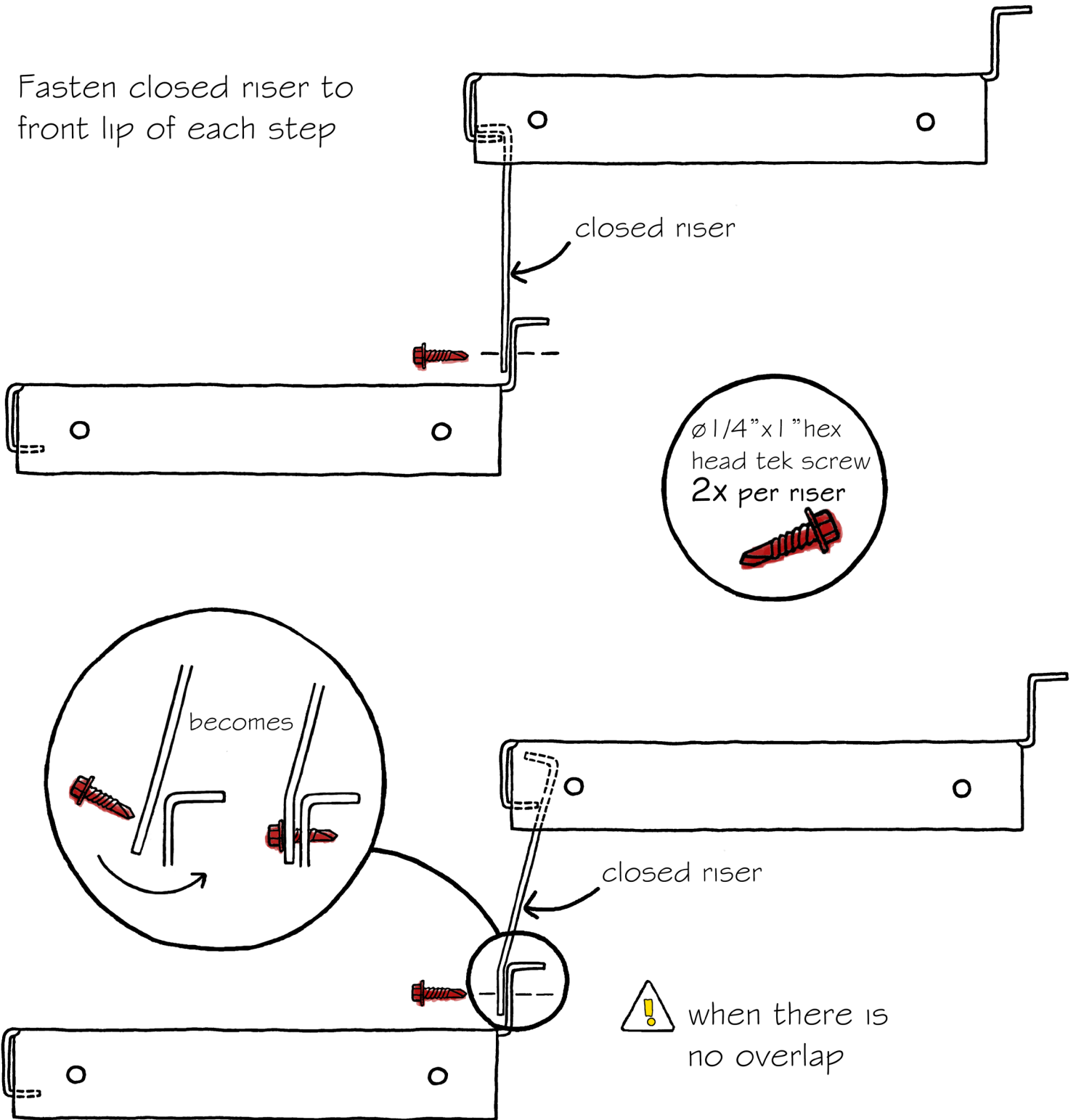


BRACES ARE INSTALLED BETWEEN MID-SUPPORT

# STEP 4

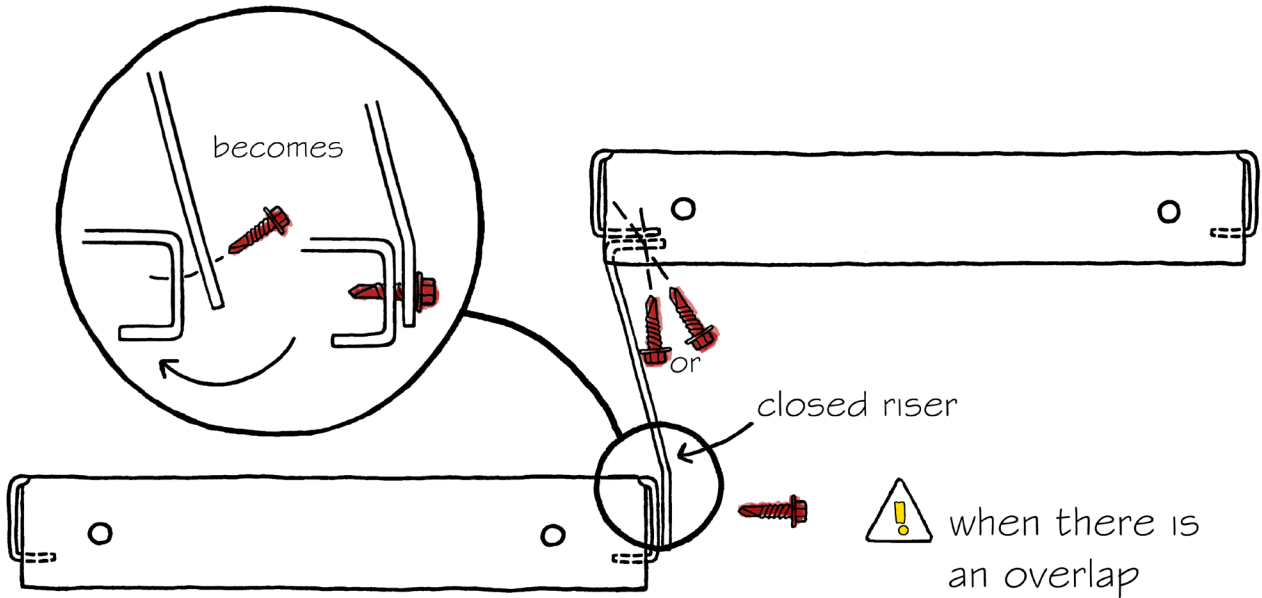
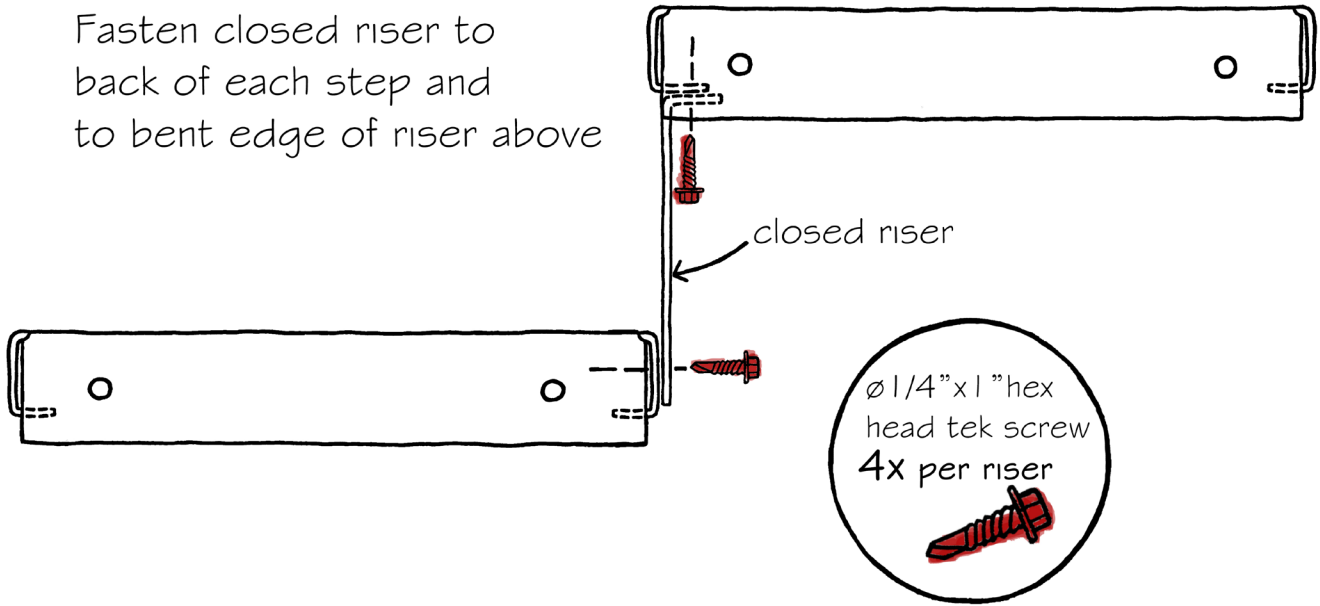
## OPTIONAL PARTS AND ACCESSORIES (CLOSED RISER FOR 31° STAIRCASES)

Fasten closed riser to front lip of each step



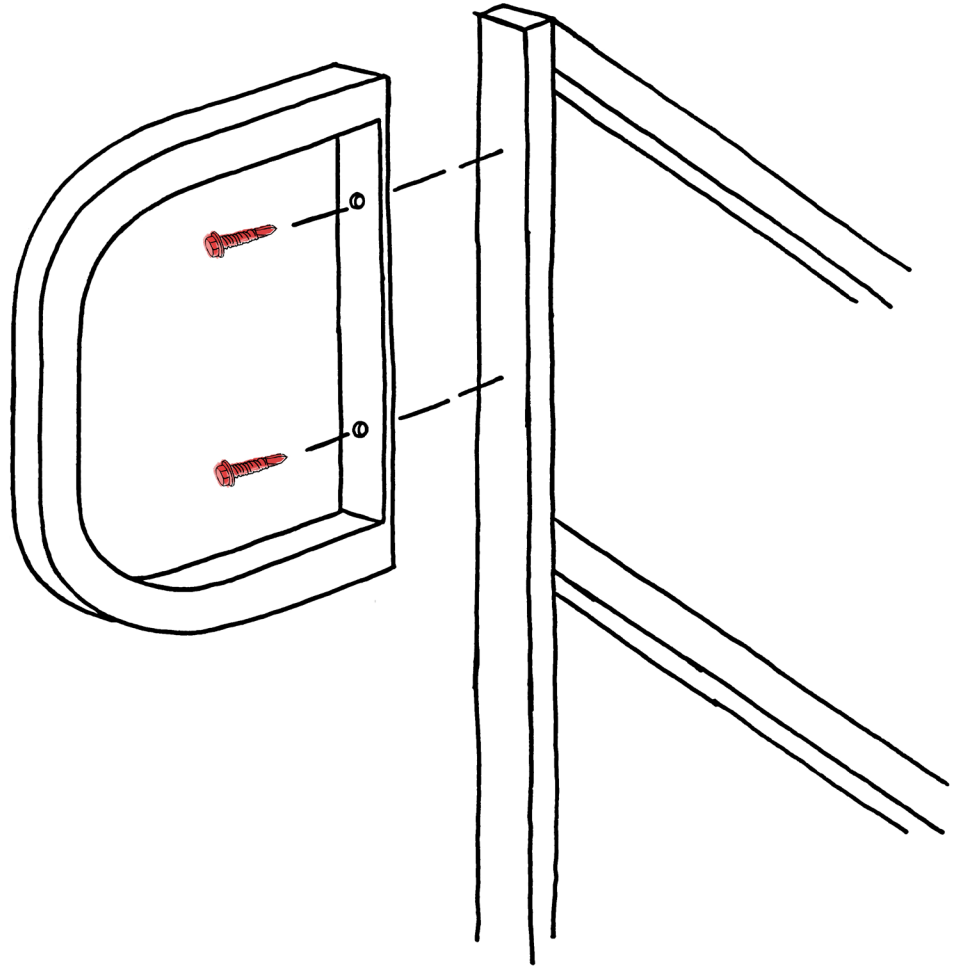
OPTIONAL PARTS AND ACCESSORIES (CLOSED RISER FOR 38° STAIRCASES)

Fasten closed riser to back of each step and to bent edge of riser above

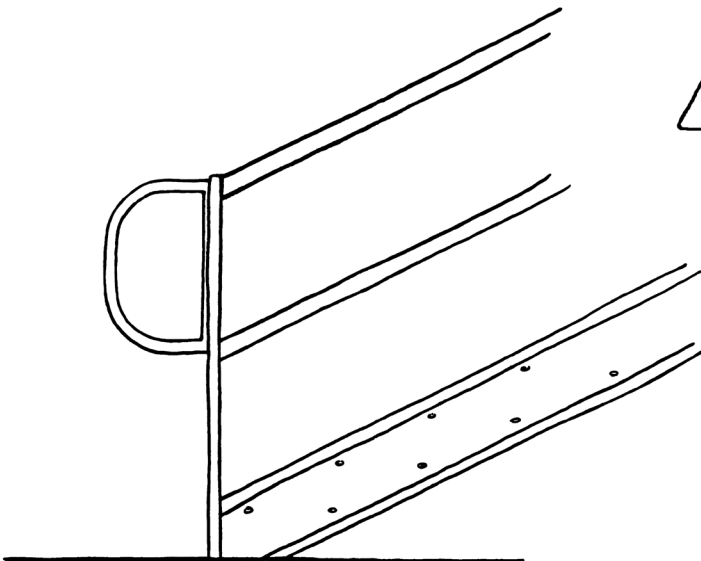




## OPTIONAL PARTS AND ACCESSORIES (EXTENSION RAILING)



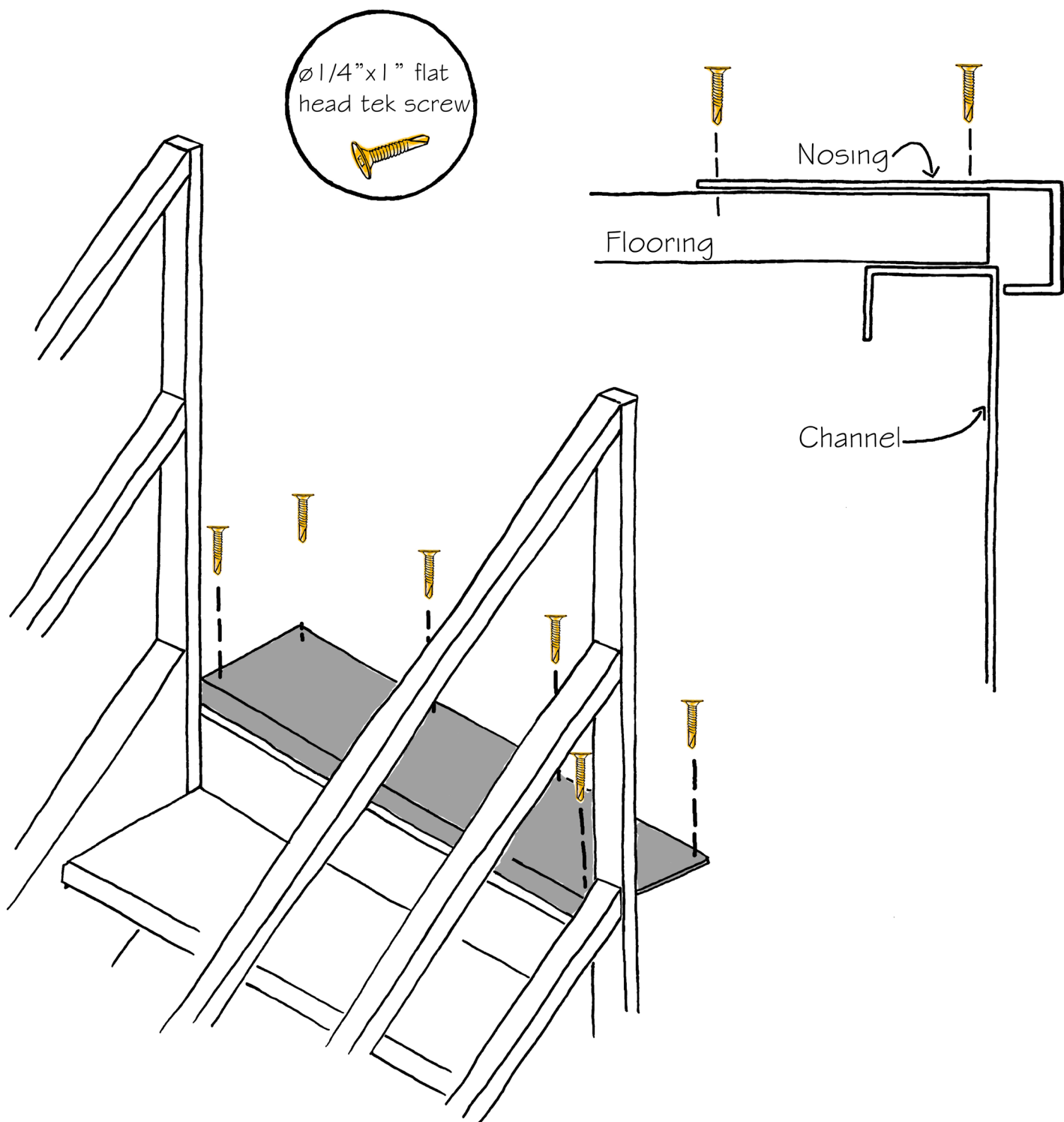
Ø1/4" x 1 1/4" hex  
head tek screw



Extension railing can  
be used on both top  
and bottom of staircase

## OPTIONAL PARTS AND ACCESSORIES (NOSING)

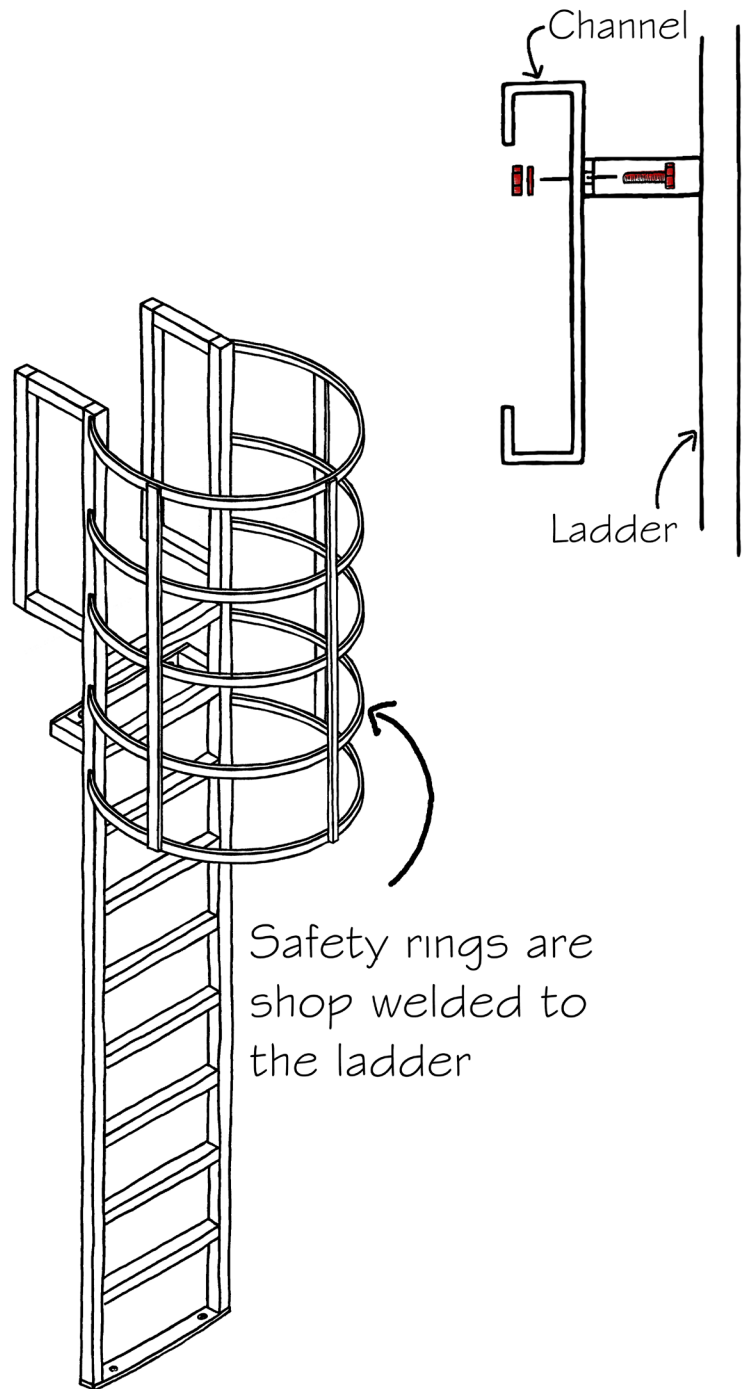
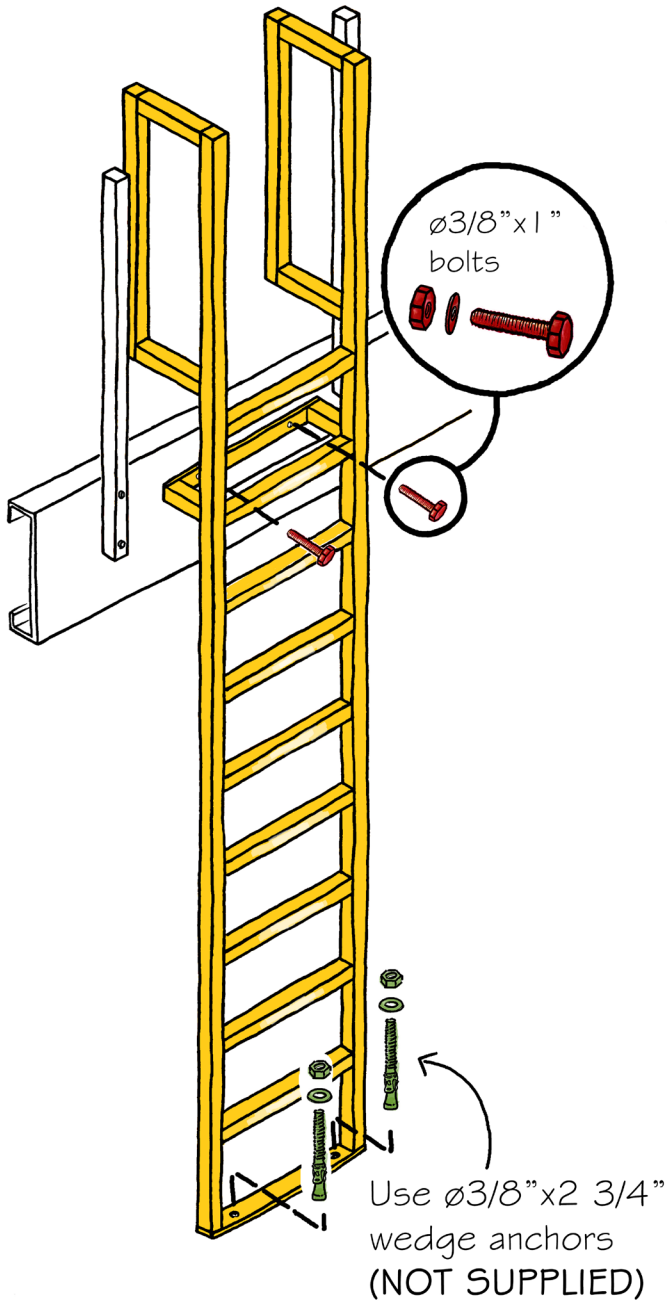
After flooring is in place, install nosing



# STEP 5 Ladder



Holes in channel to be drilled on site



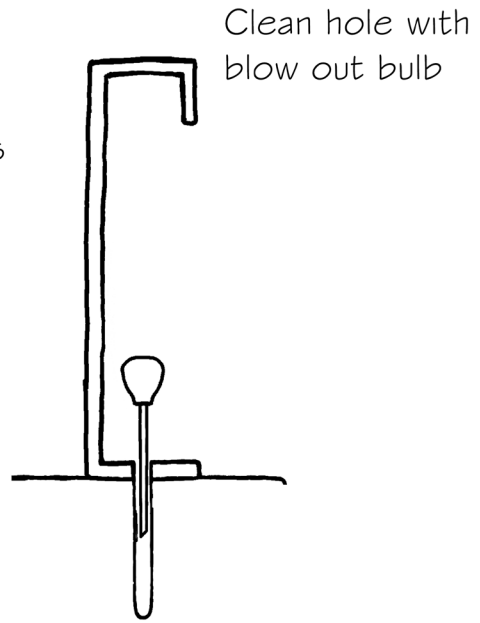
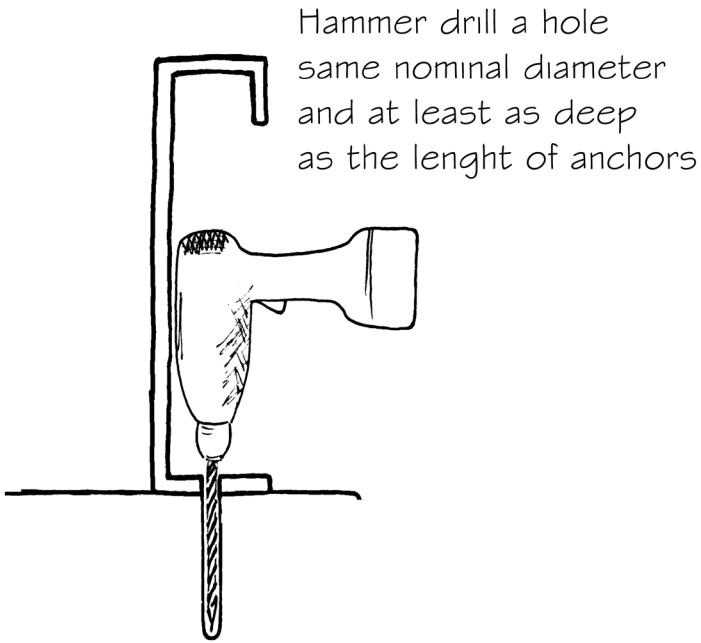
SEE STEP 6 FOR COMPLETE DETAILS ON ANCHORING



# STEP 6 (A)

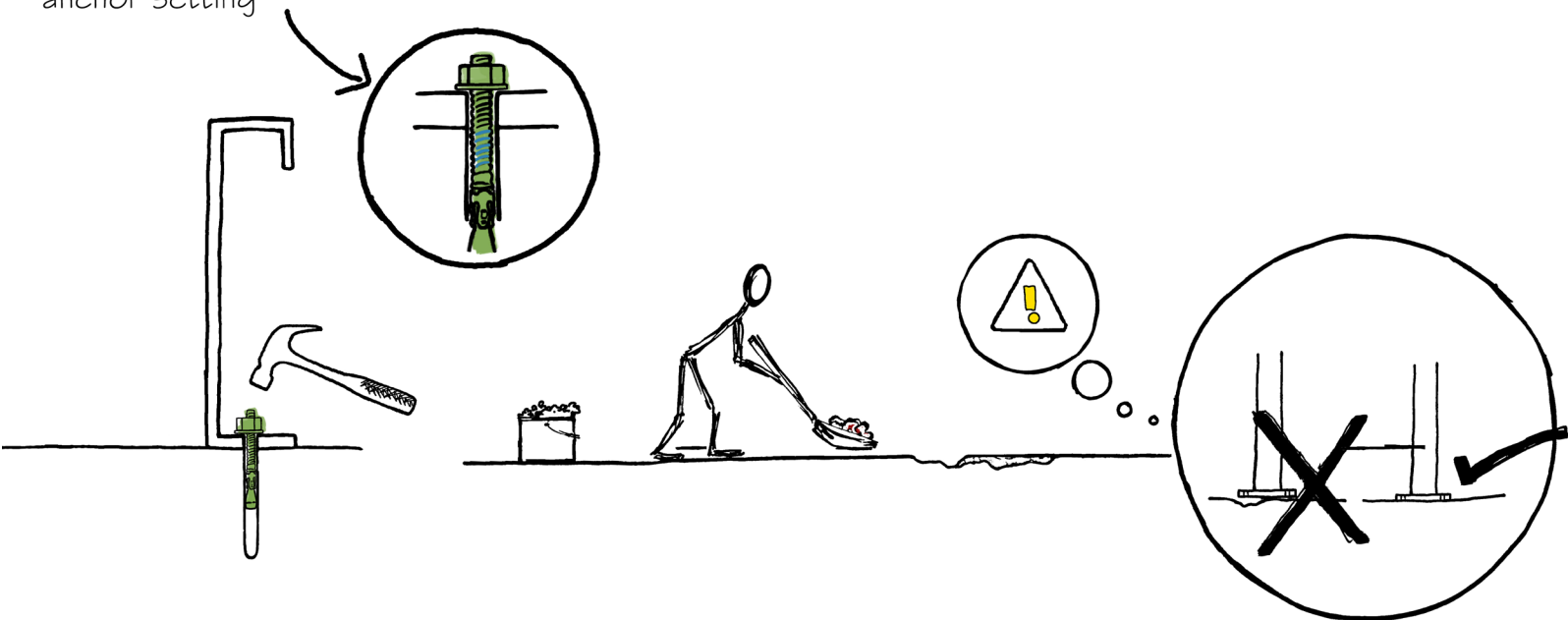
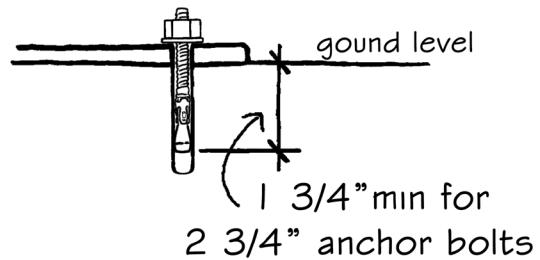
## ANCHORING STAIRCASE & LADDER

(If staircase or ladder sits on a concrete surface, follow these instructions)



Drive the Hilti bolt so that at least **6 threads** are below top surface of fixture.

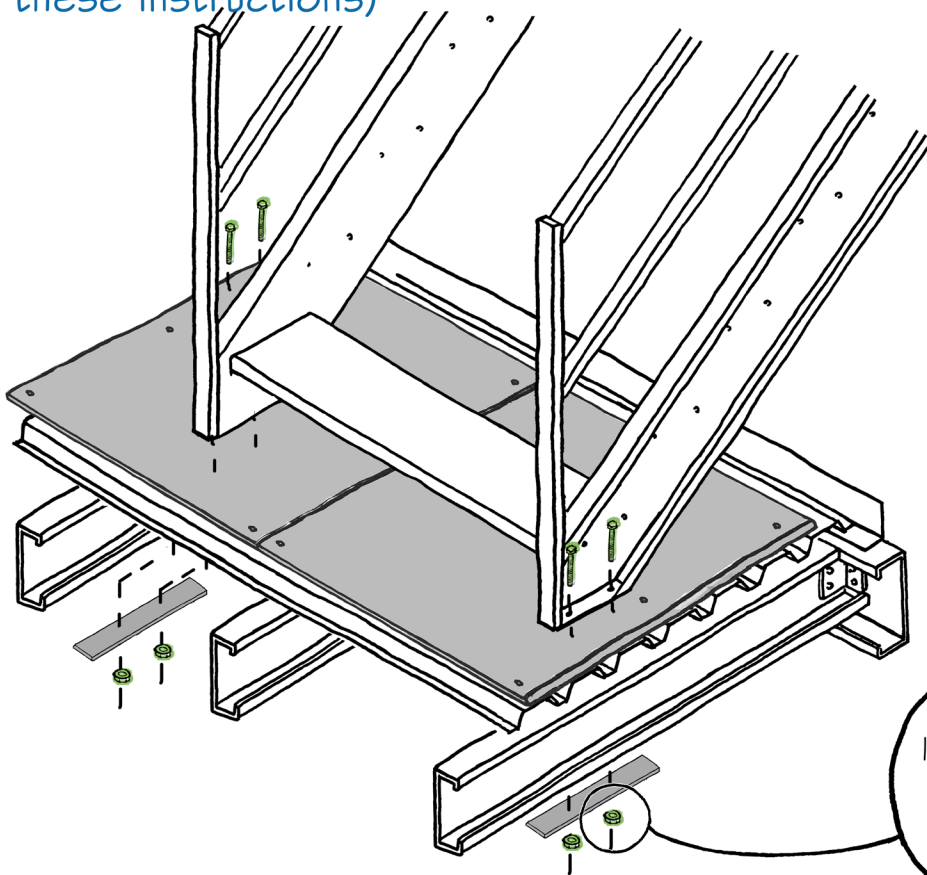
Tighten to recommended torque value to achieve proper anchor setting



## STEP 6 (B)

### ANCHORING STAIRCASE & LADDER

(If staircase or ladder sits on the Pre-Engineered Floor Decking System, follow these instructions)

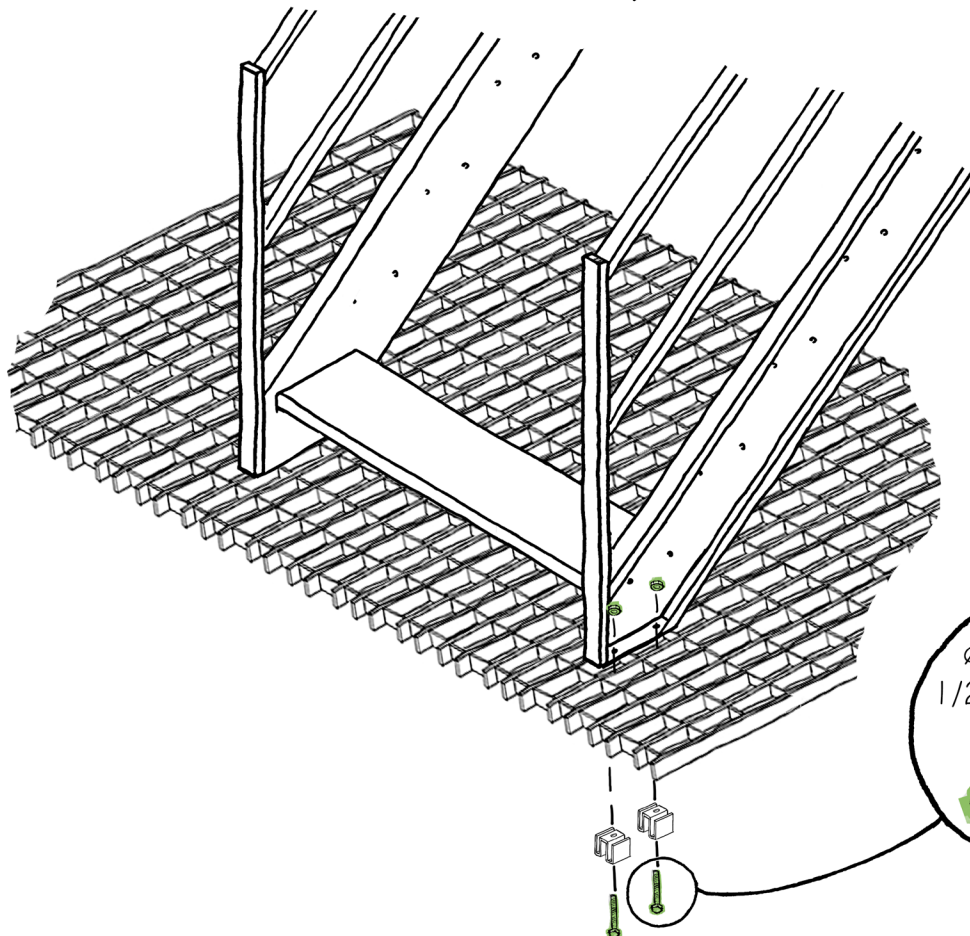


#### ON STEEL DECK SURFACE

Bolt sandwich plate under the steel deck to help secure the staircase in place.

Always lay sandwich plate perpendicular to the steel deck orientation.

$\varnothing$  3/8" x 3  
1/2" structural  
bolts



#### ON BAR GRATING SURFACE

Invert clips and bolt to the staircase base plate to secure it from under. Put one structural bolt in each hole of the staircase base plate.

$\varnothing$  3/8" x 3  
1/2" structural  
bolts

